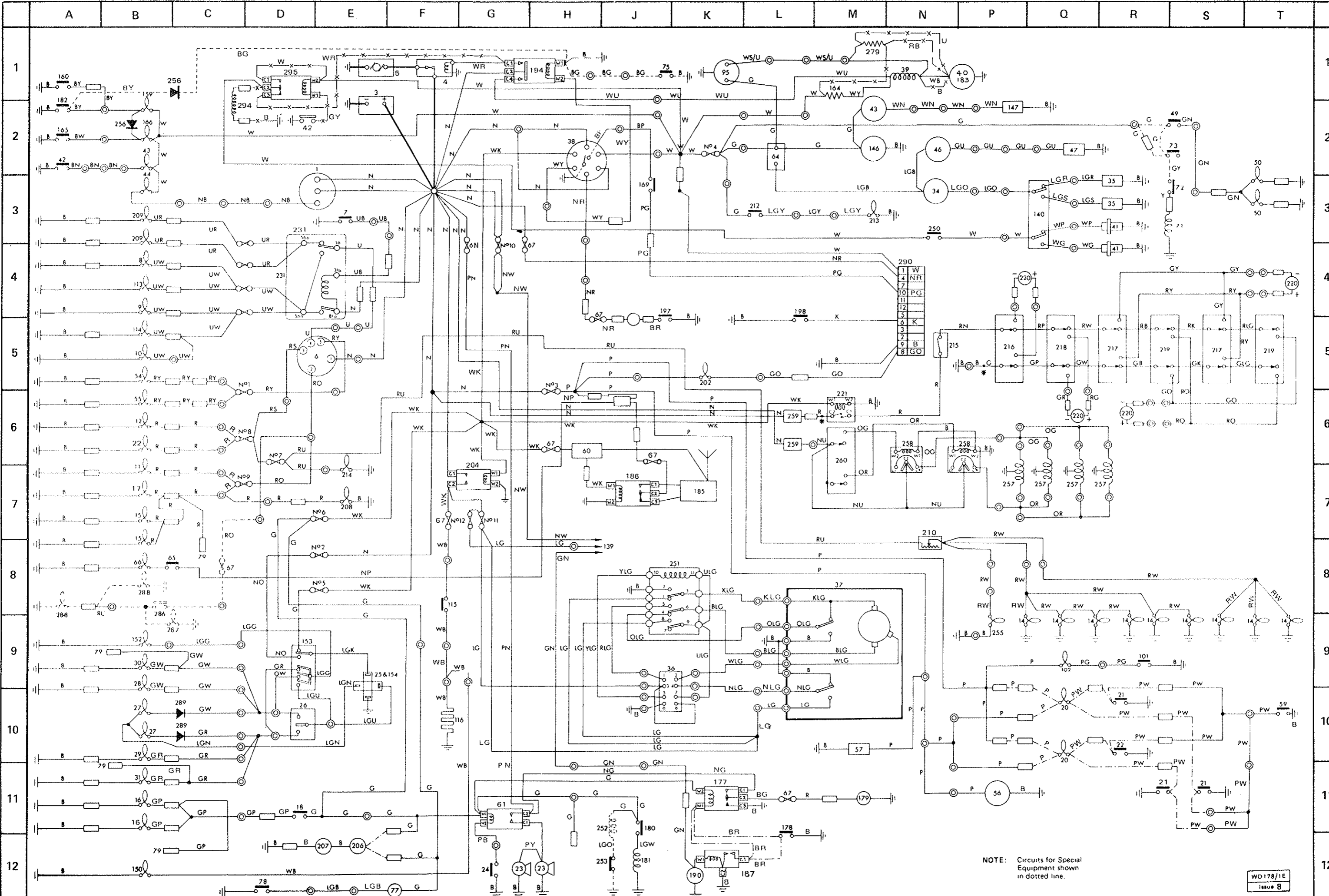


Cable Color Code

N.Brown	R.Red	P.Purple	L.Light	W.White	B.Black
U.Blue	K.Pink	G.Green	S.Slate	Y.Yellow	O.Orange

When a cable has two color code letters, the first denotes the Main Color and the second the Tracer Color.



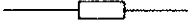
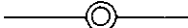

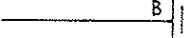
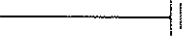

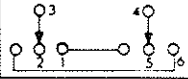
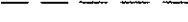
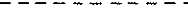
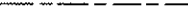
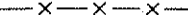
NOTE: Circuits for Special Equipment shown in dotted line.

KEY TO WIRING DIAGRAM

COMPONENT	GRID REF:	NO.
Alternator	DE3	1
Aerial motor	K7	185
Aerial motor relay	J7	186
Air conditioning compressor	K12	190
Air conditioning/Heater Circuit (to)	H8	139
Air conditioning relay	K12	187
Anti run on relay	D1	295
Anti run on valve	C2	294
Automatic gearbox kickdown solenoid	J12	181
Automatic gearbox kickdown switch	J11	180
Automatic gearbox safety switch	J1	75
Ballast resistor	M1	164
Base drive resistor	M1	279
Battery	E2	3
Battery condition indicator	MN2	146
Battery cooling fan motor	E12	206
Battery cooling fan thermostat	E12	207
Bi-Metal instrument voltage stabiliser	L2	64
Blocking diode - Brake warning	B2	256
Blocking diodes - direction indicators	C10	289
Boot light	B8	66
Boot light - switch	C8	65
Brake fluid level switch	A2	182
Buzzer alarm door switch	J3	169
Choke control illumination	E6	214
Choke warning light	M3	213
Choke warning light switch	L3	212
Cigar lighter	M10	57
Cigar lighter illumination	E7	208
Clock	P11	56
Direction indicator switch	D10	26
Direction indicator warning lamps	B10	27
Distributor	P1	40
Door lock solenoid	Q7	257
Door lock solenoid relay	N6	258
Door lock switch	M6	260
Door switch L.H.	R10	22
Door switch R.H.	R10	21
Electric windscreen washer	F12	77
Electric windscreen washer switch	D12	78
Emission control valve solenoid	J11	252
Emission control valve switch	J12	253
Fibre optics illumination lamp	P9	255
Flasher unit	E9	25
Flasher lamp, Front, L.H.	B10	29
Flasher lamp, Front, R.H.	B9	28
Flasher lamp, Rear, L.H.	B11	31
Flasher lamp, Rear, R.H.	B9	30
Foglamp L.H.	B6	55
Foglamp R.H.	B5	54
Fuel gauge	N3	34
Fuel gauge tank unit	R3	35
Fuel pump	R3	41
Fuel tank changeover switch	Q3	140
Handbrake switch	A2	165
Handbrake warning lamp	B2	166
Hazard warning flasher unit	E9	154
Hazard warning lamp	B9	152
Hazard warning switch	D9	153
Headlamp dip switch	E3	7
Headlamp, Inner, L.H.	B5	114
Headlamp, Inner, R.H.	B4	113
Headlamp, Outer, L.H.	B4	9
Headlamp, Outer, R.H.	B4	8
Headlamp relay	D4	231
Horns	H12	23
Horn Push	G12	24
Horn relay	G11	61
Ignition amplifier OPUS	P1	183
Ignition coil	N1	39
Ignition protection relay	G7	204
Ignition switch	H2	38
Ignition warning lamp	B3	44
Inertia switch	N3	250
Interior lights	Q10	20
Interior lights switch	T10	59
Left & Right hand dipped beam lamps	B3	209
Lighting switch	E5	6
Line fuse	G3	67
Main beam warning lamp	B5	10
Map light	Q9	102
Map light switch	R9	101

COMPONENT	GRID REF:	NO.
Number plate lamps	B7,8	15
Oil pressure switch	D2	42
Oil pressure transmitter	P2	147
Oil pressure warning lamp or gauge	M2	43
Overdrive control switch	S3	72
Overdrive gearbox switch	S2	73
Overdrive solenoid	S3	71
Panel lamps	Q9	14
Panel lamps rheostat	N8	210
Radiator cooling fan motor	M11	179
Radiator cooling fan thermostat	L11	178
Radio	H6	60
Rear fog guard lamp	A8,	288
	B8	
Rear fog guard switch	C8	286
Rear fog guard warning lamp	C9	287
Rear window demist switch	F8	115
Rear window demist unit	F10	116
Rear window demist warning light	B12	150
Reverse lamps	T2,3	50
Reverse lamp switch	S2	49
Revolution counter	K1	95
Seat belt switch - Driver	L5	198
Seat belt warning control unit	N4	290
Side lamp L.H.	B6	12
Side lamp R.H.	B7	11
Split brake differential switch	A1	160
Split brake test switch & warning lamp	B1	159
Starter Motor	E1	5
Starter solenoid	F1	4
Starter solenoid/Ballast coil relay	H1	194
Stop and tail lamp L.H.	B11	16
Stop and tail lamp R.H.	B11	16
Stop lamp switch	D11	18
Thermal circuit breaker	L6	259
Trailer socket	C8	79
Water temperature gauge	N2	46
Water temperature transmitter	Q2	47
Window lift master switch	N5	215
Window lift motor	PQR	220
	T4	
Window lift safety relay	M6	221
Window lift switch, Front, L.H.	Q5	218
Window lift switch, Front, R.H.	P5	216
Window lift switch, Rear, L.H.	S5	219
Window lift switch, Rear, R.H.	R5	217
Windscreen wiper motor	M9	37
Windscreen wiper relay	K8	251
Windscreen wiper switch	K9	36

SYMBOLS USED

	SNAP CONNECTOR
	PLUG AND SOCKET
	LINE SPLICE
	EARTH CONNECTION VIA CABLE
	EARTH VIA FIXING BOLT
	WIRING OF ELECTRIC WINDOW LIFT CIRCUIT BEYOND THIS POINT HAS SPIRAL SLATE TRACER
	INTERNAL LINK DETAILS OF ELECTRIC WINDOW LIFT AND DOOR LOCK SWITCHES
	AUTOMATIC TRANSMISSION
	MANUAL TRANSMISSION
	ALTERNATIVE CONNECTIONS
	MODEL VARIANT

KEY TO WIRING DIAGRAM

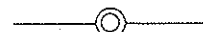
COMPONENT	GRID REF:	NO.
Alternator	DE2	1
Aerial motor	K7	185
Aerial motor relay	J7	186
Air conditioning compressor	K12	190
Air conditioning/Heater Circuit (to)	H7	139
Air conditioning relay	K12	187
Anti run on relay	G1	194
Automatic gearbox kickdown solenoid	J12	181
Automatic gearbox kickdown switch	J11	180
Automatic gearbox safety switch	J1	75
Ballast resistor	M1	164
Base drive resistor	M1	279
Battery	E2	3
Battery condition indicator	MN2	146
Battery cooling fan motor	E12	206
Battery cooling fan thermostat	E12	207
Bi-Metal instrument voltage stabiliser	L2	64
Blocking diode - Brake warning	B2	256
Blocking diodes - direction indicators	C10	289
Boot light	B8	66
Boot light - switch	C8	65
Brake fluid level switch	A2	182
Choke control illumination	E2	214
Choke warning light	M3	213
Choke warning light switch	L3	212
Cigar lighter	M10	57
Cigar lighter illumination	E7	208
Clock	P11	56
Direction indicator switch	D10	26
Direction indicator warning lamps	B10	27
Distributor	P1	40
Electric windscreen washer	F12	77
Electric windscreen washer switch	D12	78
Fibre optics illumination lamp	P9	255
Flash unit	E9	25
Flasher lamp, Front, L.H.	B10	29
Flasher lamp, Front, R.H.	B9	28
Flasher lamp, Rear, L.H.	B11	31
Flasher lamp, Rear, R.H.	B9	30
Foglamp L.H.	B5	54
Foglamp R.H.	B6	54
Fuel gauge	N3	34
Fuel gauge tank unit	R2.3	35
Fuel pump	R3.4	41
Fuel tank changeover switch	Q3	140
Handbrake switch	A2	165
Handbrake warning lamp	B2	166
Hazard warning flasher unit	E9	154
Hazard warning lamp	B9	152
Hazard warning switch	E9	153
Headlamp dip switch	E3	7
Headlamp, Inner, L.H.	B5	114
Headlamp, Inner, R.H.	B4	113
Headlamp, Outer, L.H.	B4	9
Headlamp, Outer, R.H.	B4	8
Headlamp relay	D4	231
Horns	H12	23
Horn Push	G12	24
Horn relay	G11	61
Ignition amplifier OPUS	P1	183
Ignition coil	N1	39
Ignition protection relay	G7	204
Ignition switch	H2	38
Ignition warning lamp	B2	44
Inertia switch	N3	250
Interior lights	Q10	20
Interior lights switch	T10	59
Left & Right hand dipped beam lamps	B3	209
Lighting switch	E5	6
Line fuse	G3.4	67
Main beam warning lamp	B5	10
Map light	Q9	102
Map light switch	R9	101
Number plate lamps	B7	15
Oil pressure switch	D2	42
Oil pressure transmitter	P2	147
Oil pressure warning lamp or gauge	M2	43
Overdrive control switch	S3	72
Overdrive gearbox switch	S2	73
Overdrive solenoid	S3	71
Panel lamps	Q8	14
Panel lamps rheostat	N8	210

COMPONENT	GRID REF:	NO.
Radiator cooling fan motor	M11	179
Radiator cooling fan thermostat	L11	178
Radio	H6	60
Rear fog guard lamp	A8, B8	288
Rear fog guard switch	B8	286
Rear fog guard warning lamp	C9	287
Rear window demist switch	F8	115
Rear window demist unit	F10	116
Rear window demist warning light	B12	150
Reverse lamps	T2,3	50
Reverse lamp switch	S2	49
Revolution counter	K1	95
Side lamp L.H.	B6	12
Side lamp R.H.	B7	11
Split brake differential switch	A1	160
Split brake test switch & warning lamp	B1	159
Starter motor	E1	5
Starter solenoid	F1	4
Starter solenoid/Ballast coil relay	H1	194
Stop and tail lamp L.H.	B11	16
Stop and tail lamp R.H.	B11	16
Stop lamp switch	D11	18
Trailer socket	C8	79
Water temperature gauge	N2	46
Water temperature transmitter	Q2	47
Windscreen wiper motor	M9	37
Windscreen wiper relay	K8	251
Windscreen wiper switch	K9	36

SYMBOLS USED



SNAP CONNECTOR



PLUG AND SOCKET



LINE SPLICE



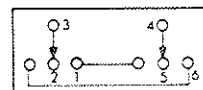
EARTH CONNECTION VIA CABLE



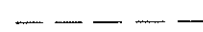
EARTH VIA FIXING BOLT



WIRING OF ELECTRIC WINDOW LIFT CIRCUIT BEYOND THIS POINT HAS SPIRAL SLATE TRACER



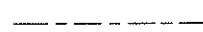
INTERNAL LINK DETAILS OF ELECTRIC WINDOW LIFT AND DOOR LOCK SWITCHES



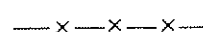
AUTOMATIC TRANSMISSION



MANUAL TRANSMISSION



ALTERNATIVE CONNECTIONS



MODEL VARIANT