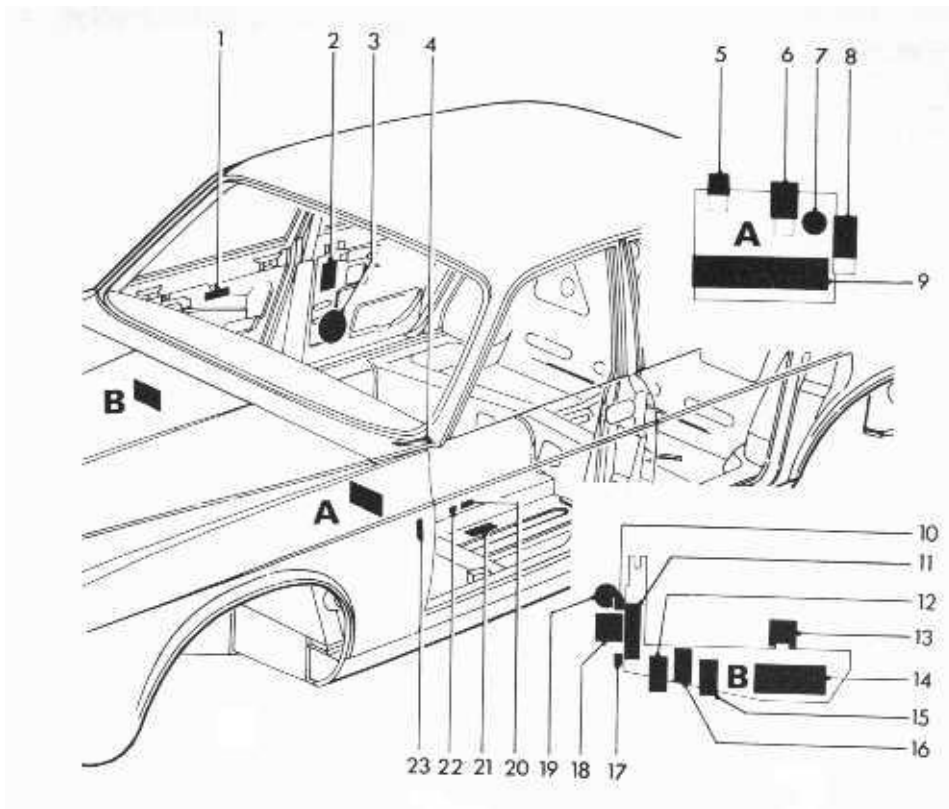
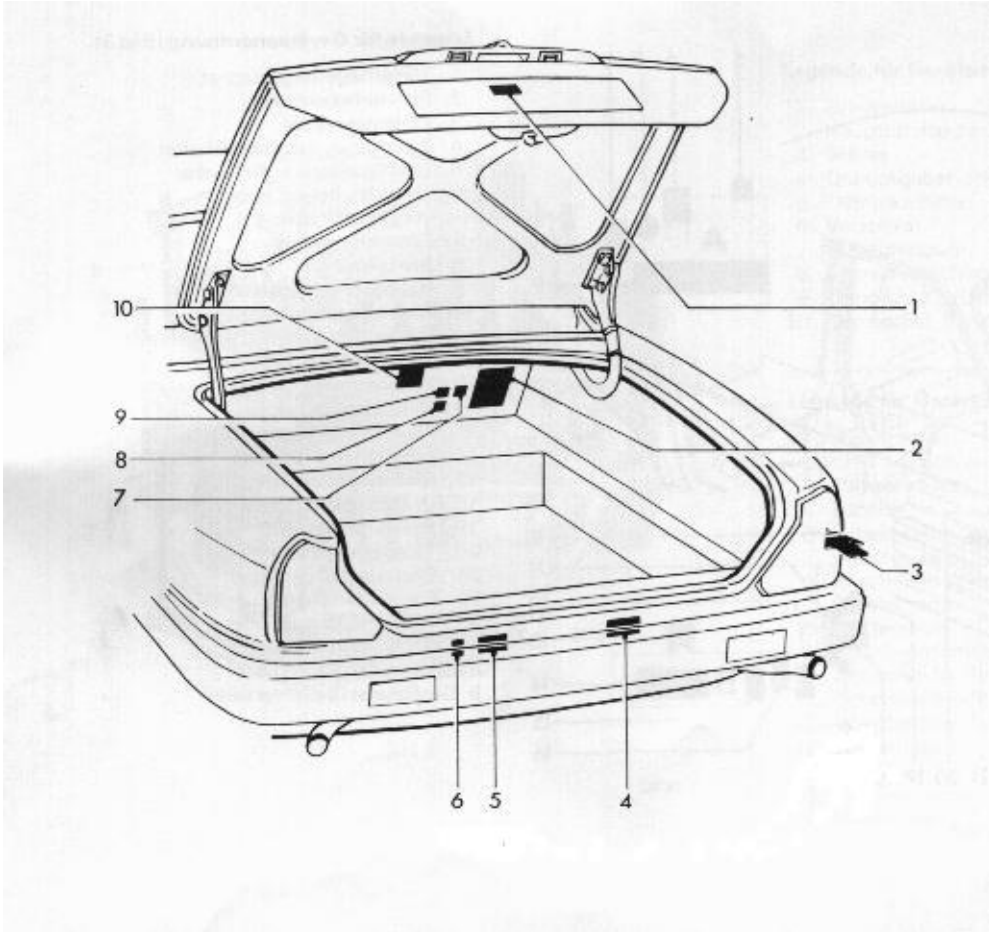


- A Fusebox Panel, driver side
- B Fusebox panel, passenger side
- 1 Motor/solenoid, door lock
- 2 Motor, window winder
- 3 Door speaker
- 4 Cruise control, main switch
- 5 Bulb failure unit
- 6 Relay, heated rear window
- 7 Relay, ignition protection
- 8 Relay, direction indicator
- 9 Fusebox, main
- 10 Bulb failure unit
- 11 Device, low coolant warning
- 12 Protection switch, door locks
- 13 Delay unit, wiper motor
- 14 Fusebox, auxiliary
- 15 Protection switch, power windows
- 16 Protection switch, power windows
- 17 Bulb failure unit
- 18 Vacuum delay unit
- 19 Relay, power windows
- 20 Switch, power mirrors
- 21 Motor, power seat height adjustment
- 22 Switch, power mirrors
- 23 Relay, power locking



- 1 Motor/Solenoid, trunk lid locking
- 2 ECU, fuel injection
- 3 Sending unit, fuel level
- 4 Fuel pump
- 5 Motor, antenna
- 6 Relay, antenna
- 7 Bulb failure unit, rear lamp
- 8 Bulb failure unit, rear lamp
- 9 Bulb failure unit, brake lamps
- 10 Motor, power sunroof



- 1 Motor, wiper
- 2 Diode block, fuel injection
- 3 Relay, fuel injection main
- 4 Relay, fuel pump
- 5 Relay, starter
- 6 Relay, dip/main beam
- 7 Fusebox, lights
- 8 Motor, headlamp wiper
- 9 Pump, windshield washer
- 10 Electric fan, radiator
- 11 Horns
- 12 Power resistors
- 13 Relay, horns
- 14 Relay, fan

